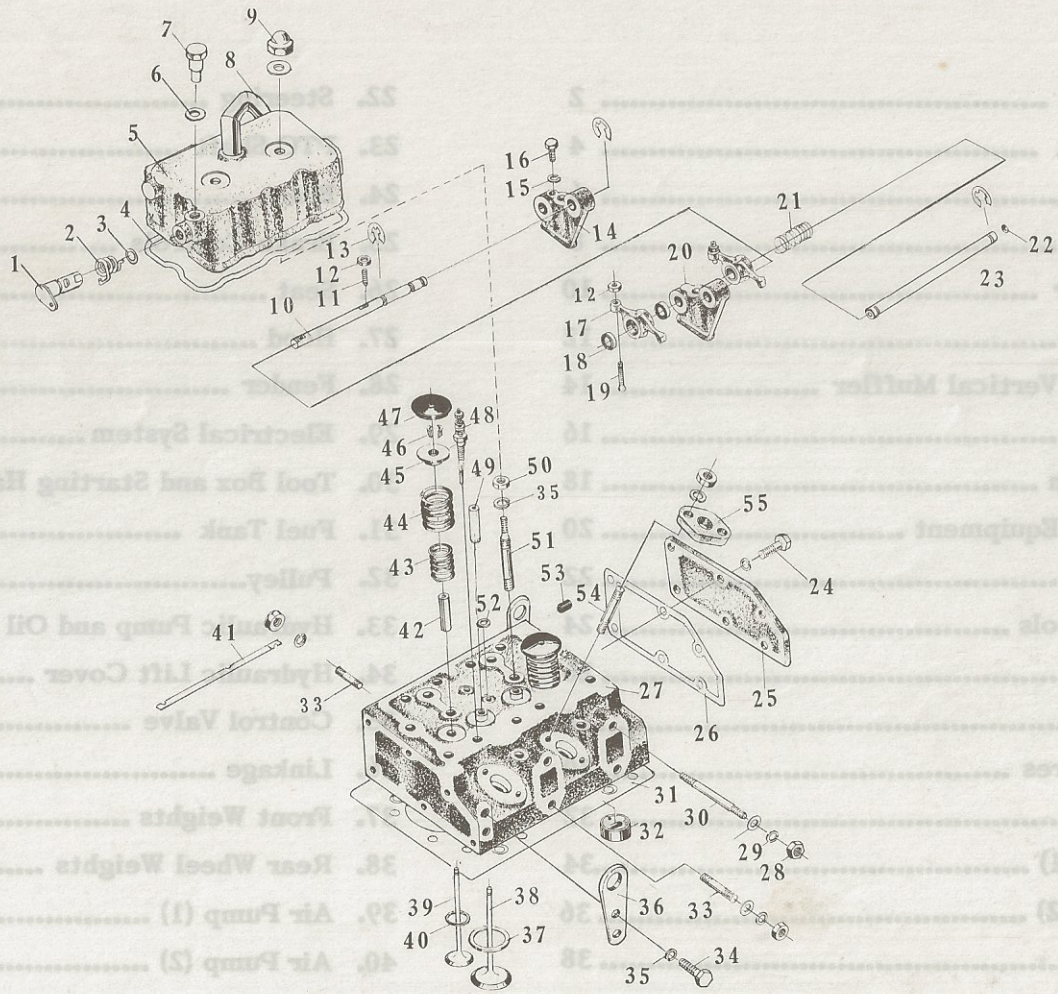


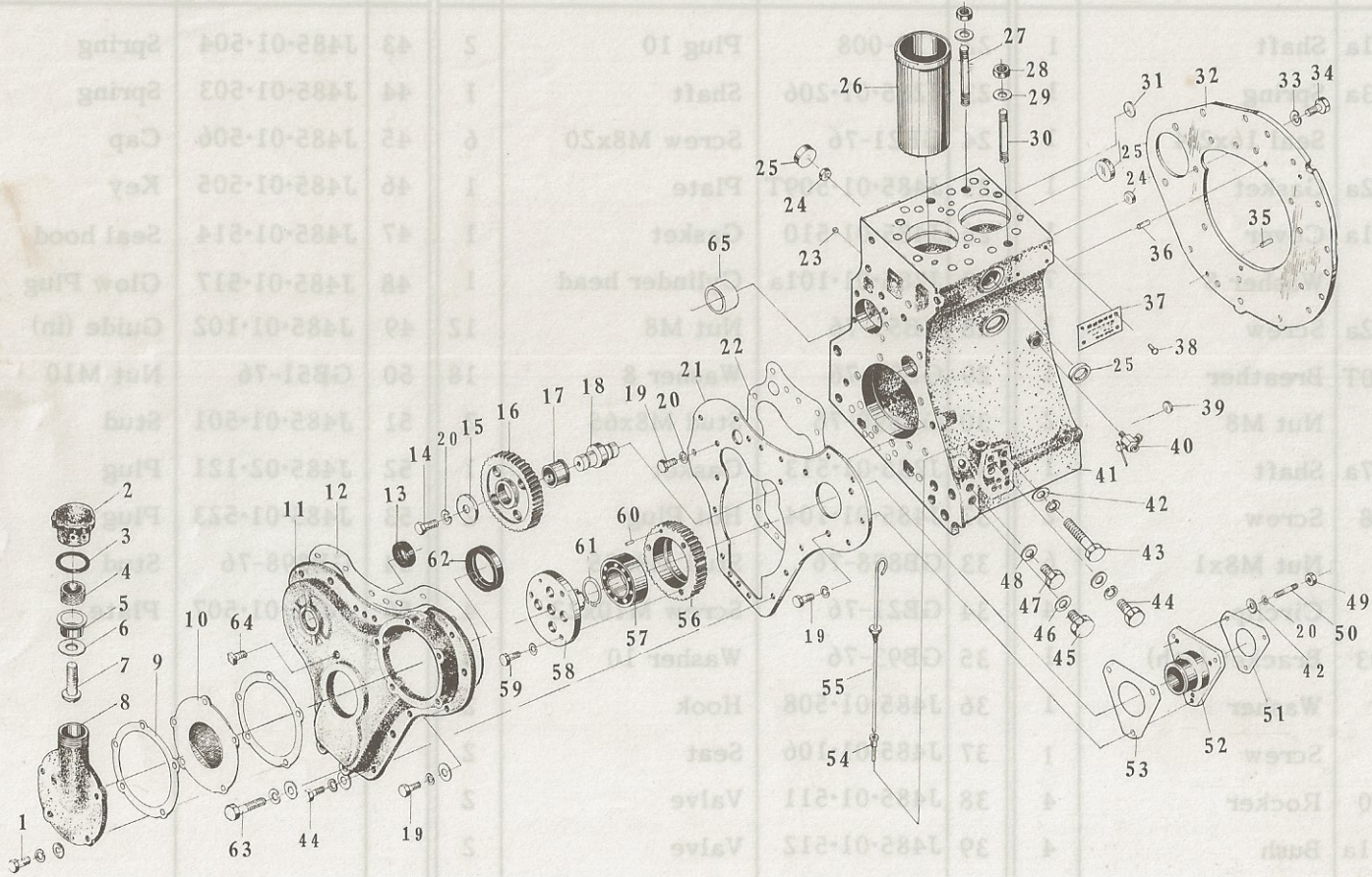


# 1. CYLINDER HEAD



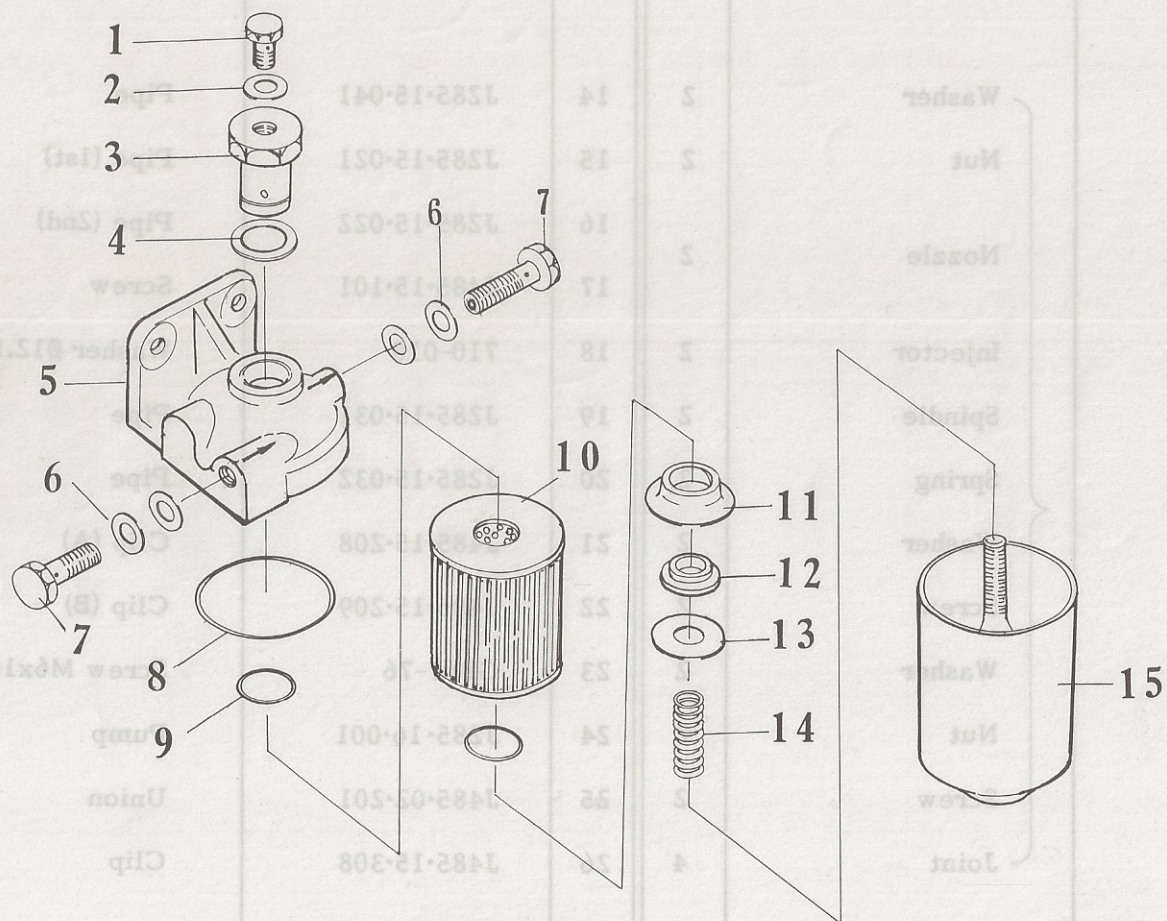


## 2. CYLINDER BLOCK



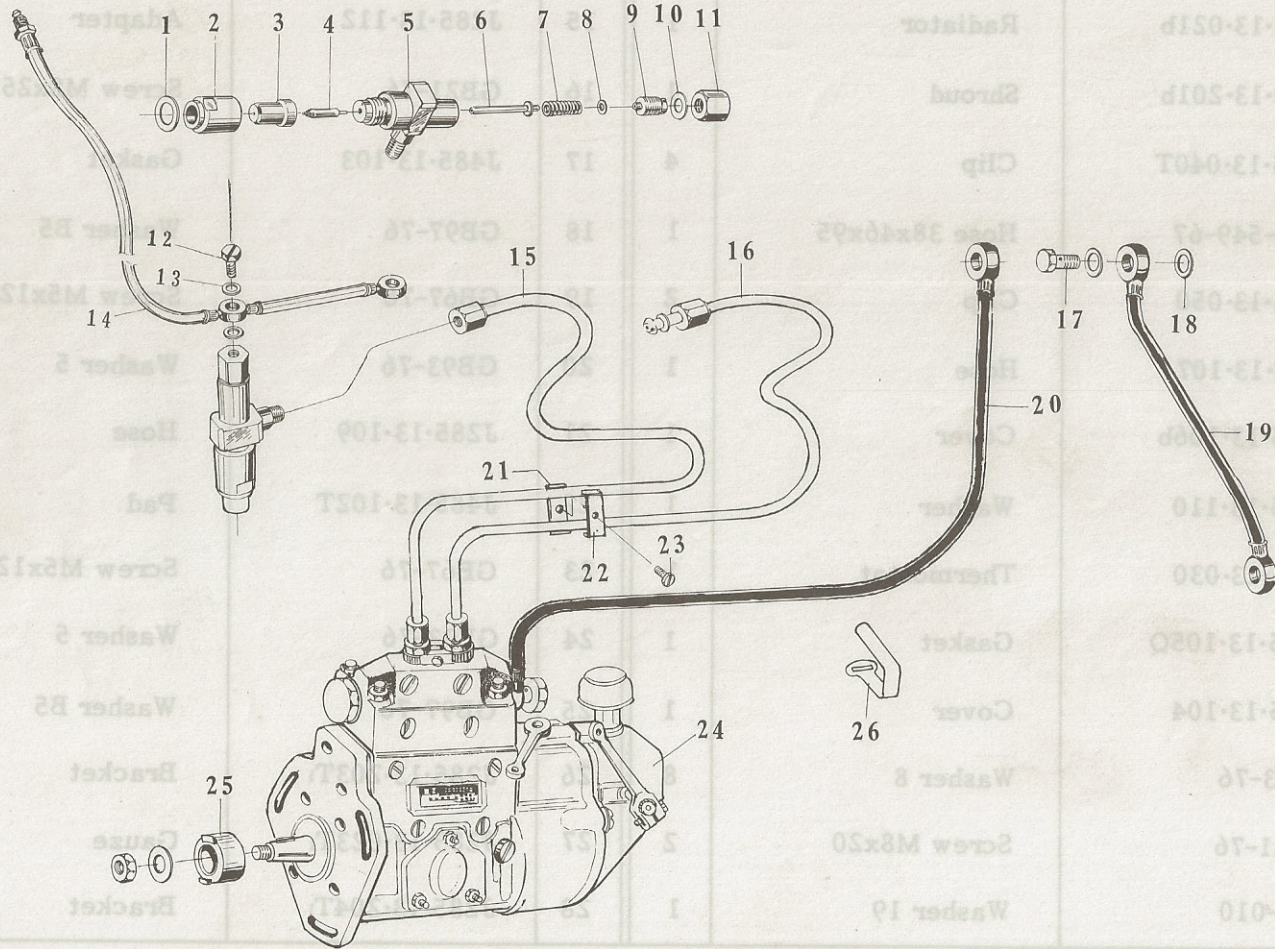


## 11. FUEL FILTER



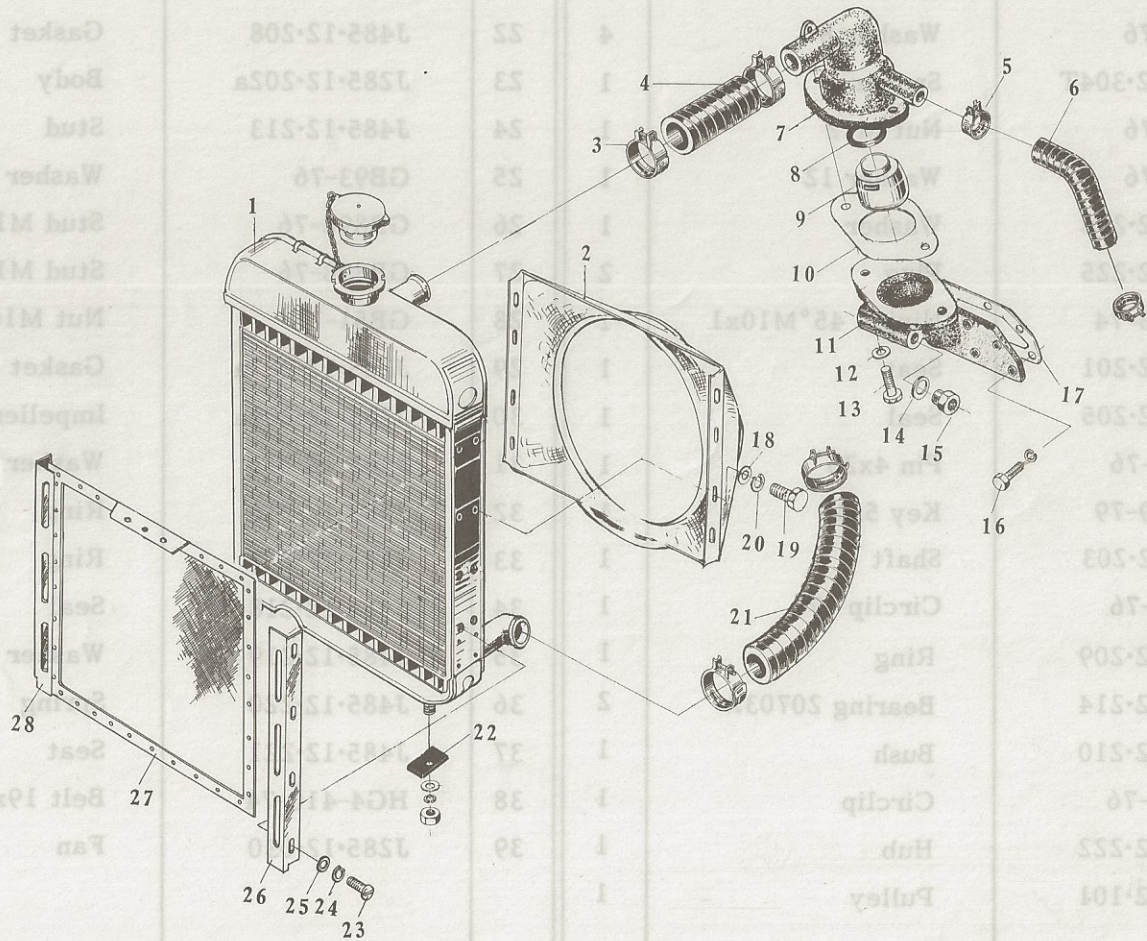


# 10. FUEL INJECTION EQUIPMENT





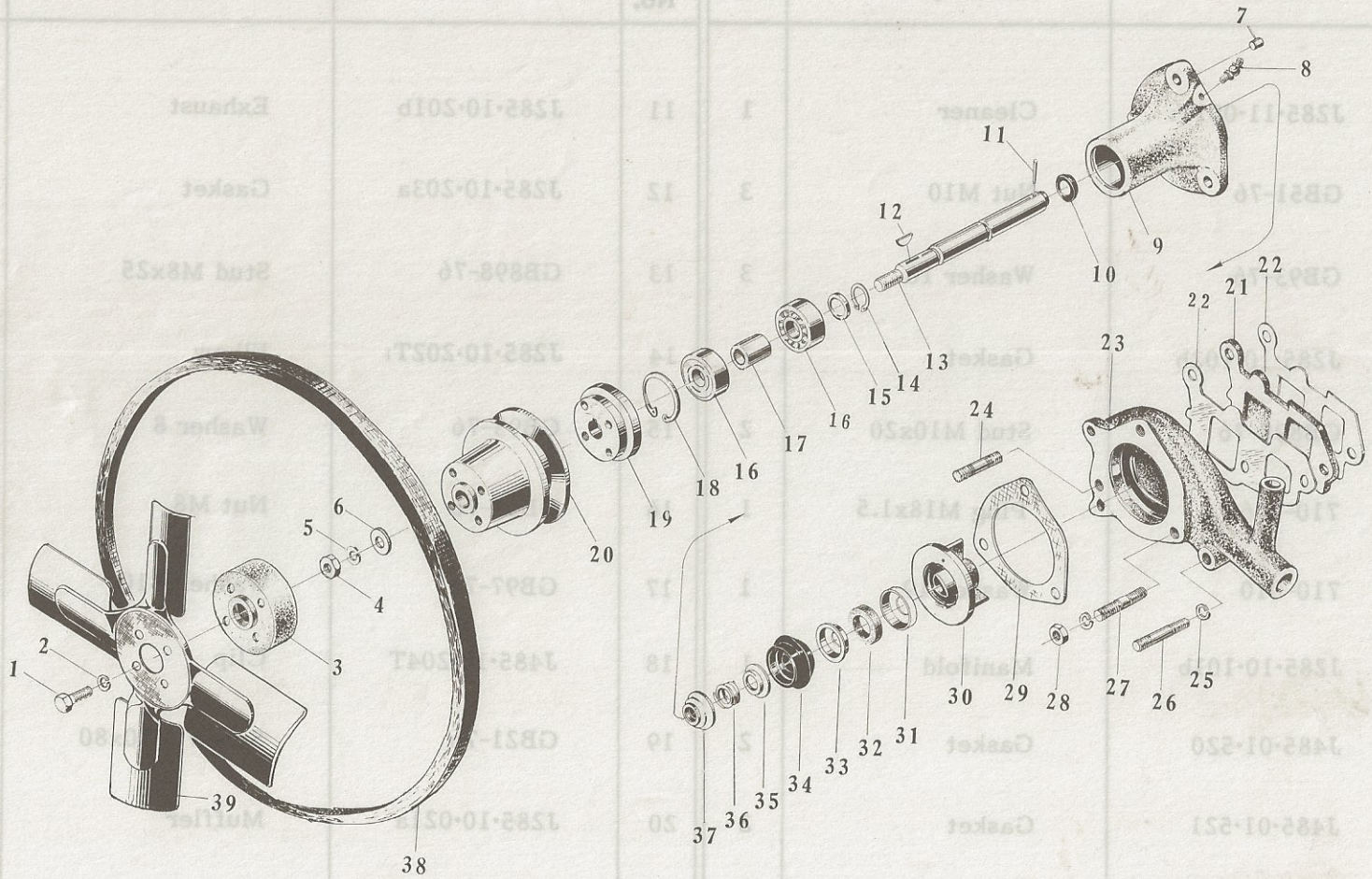
## 9. COOLING SYSTEM



QTY	Part No.	Description	Ref. No.
1	1485-15-515	Screw M8x45	1
2	1485-15-508	Washer 10	2
1	1585-15-502A	Washer 10	3
2	1485-15-513	Washer 10	4
6	GB893-76	Washer 10	5
3	1485-15-505	Washer 10	6
1	1485-15-512	Washer 10	7
6	1485-15-511	Washer 10	8
1	1485-15-510	Washer 10	9
6	1485-15-509	Washer 10	10
1	1485-15-508	Washer 10	11
1	1485-15-507	Washer 10	12
6	1485-15-506	Washer 10	13
1	1485-15-505	Washer 10	14
1	1485-15-504	Washer 10	15
1	1485-15-503	Washer 10	16
1	1485-15-502	Washer 10	17
1	1485-15-501	Washer 10	18
1	1485-15-500	Washer 10	19
1	1485-15-499	Washer 10	20
1	1485-15-498	Washer 10	21
1	1485-15-497	Washer 10	22
1	1485-15-496	Washer 10	23
1	1485-15-495	Washer 10	24
1	1485-15-494	Washer 10	25
1	1485-15-493	Washer 10	26
1	1485-15-492	Washer 10	27
1	1485-15-491	Washer 10	28

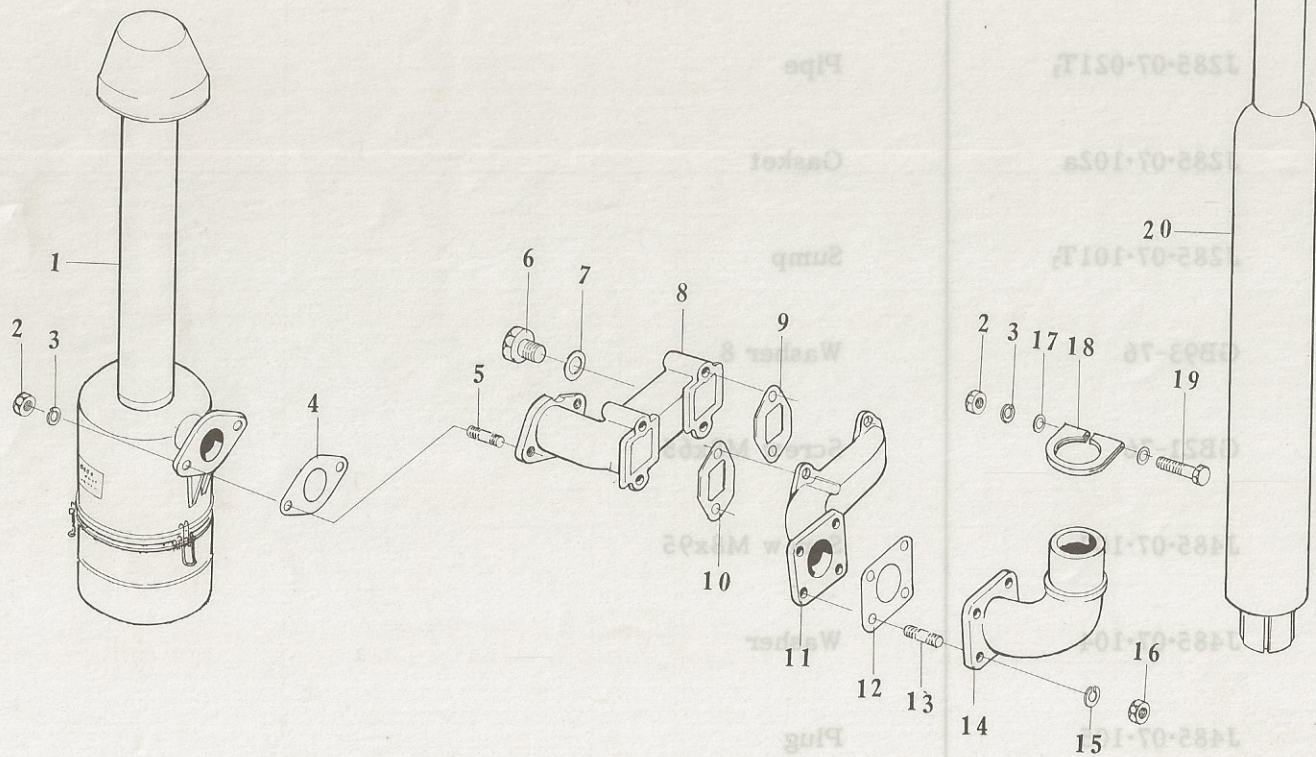


## 8. FAN AND PUMP





## 7. AIR FILTER AND VERTICAL MUFFLER



Part No.

Ref. No.

1485-07-501

1

1485-07-505

2

1585-07-051T

3

1585-07-102A

4

1585-07-101T

5

1585-07-101T

6

1485-07-101T

7

1485-07-101T

8

1485-07-101T

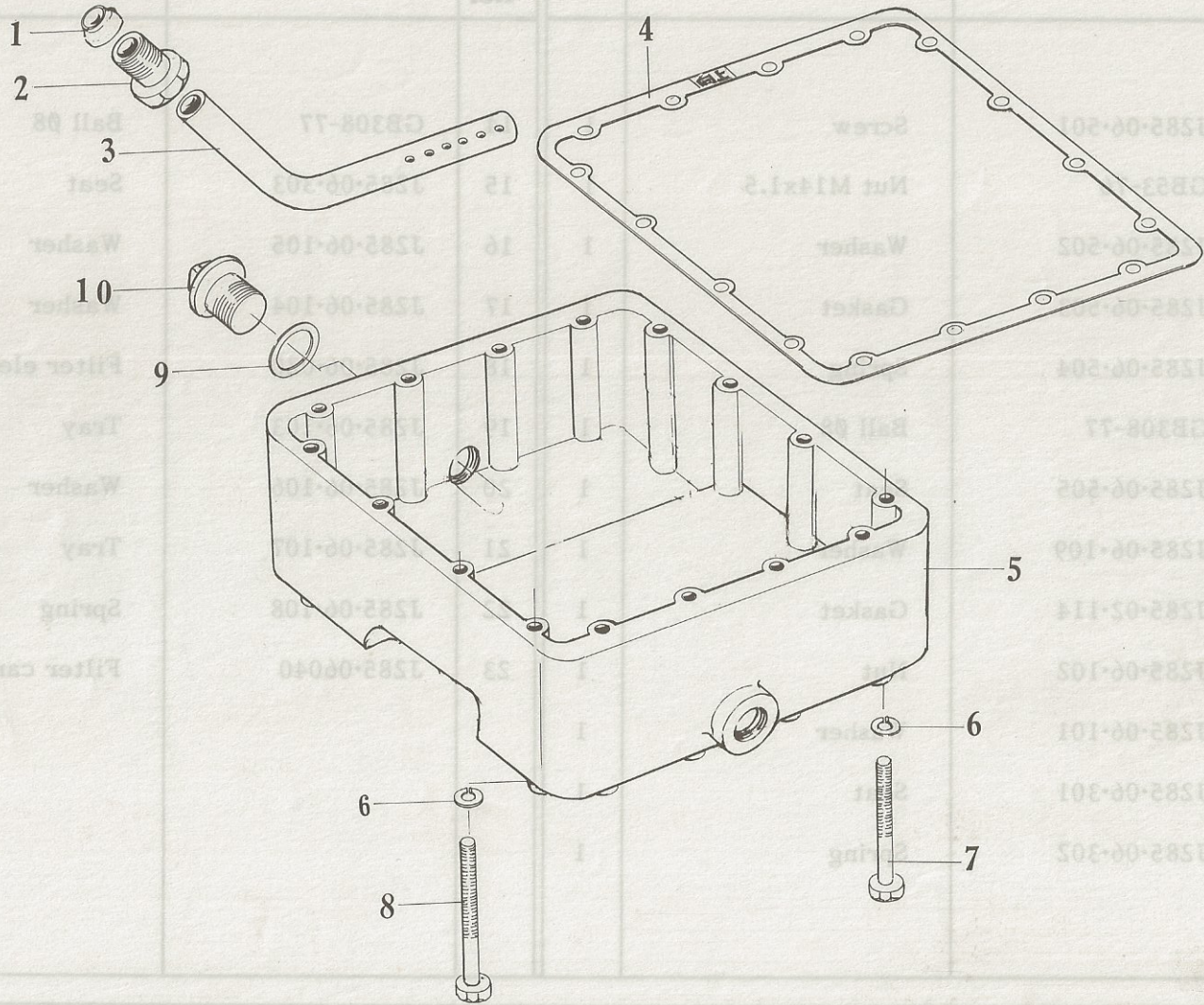
9

1485-07-101T

10

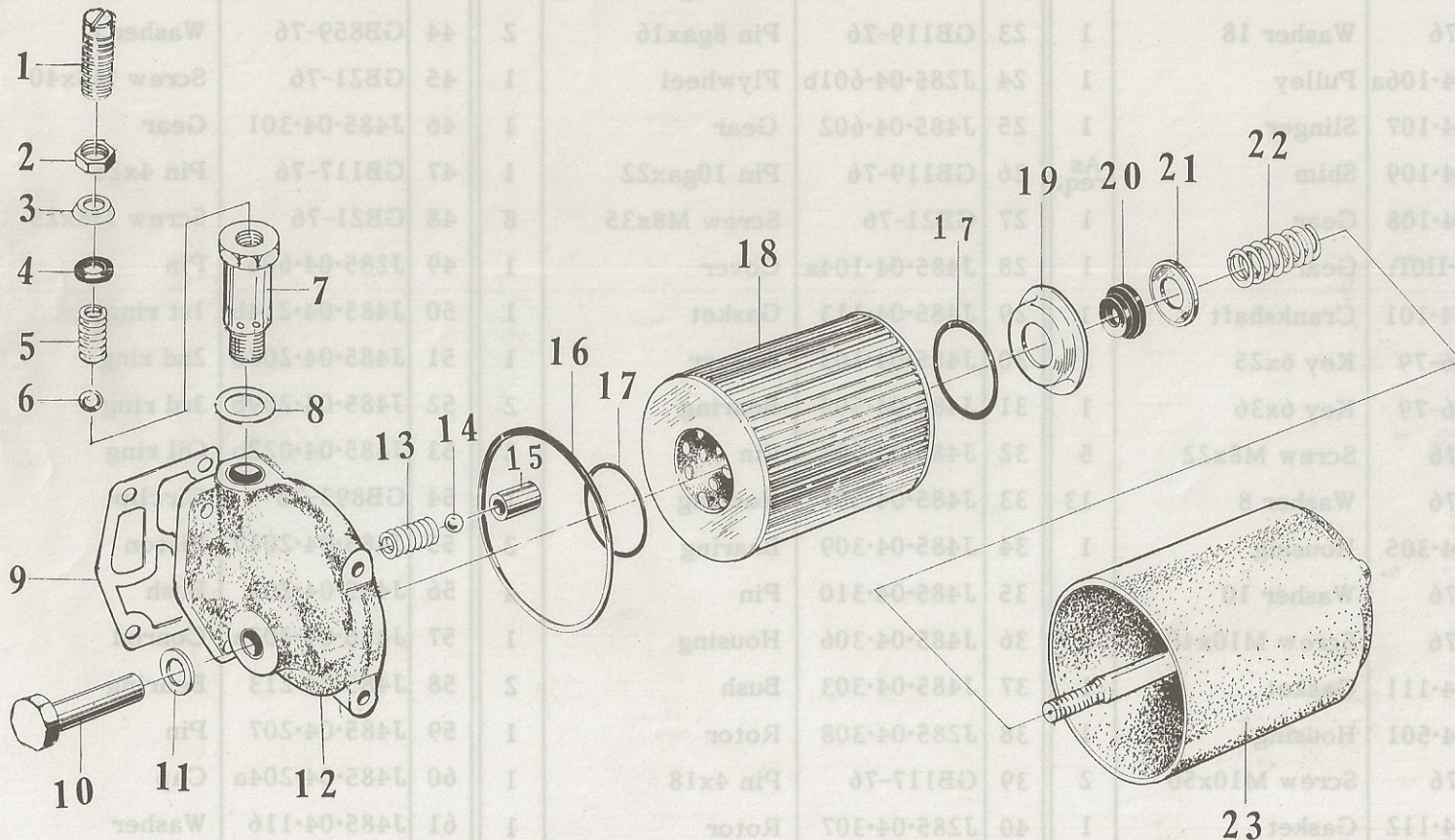


## 6. LUBE OIL SUMP



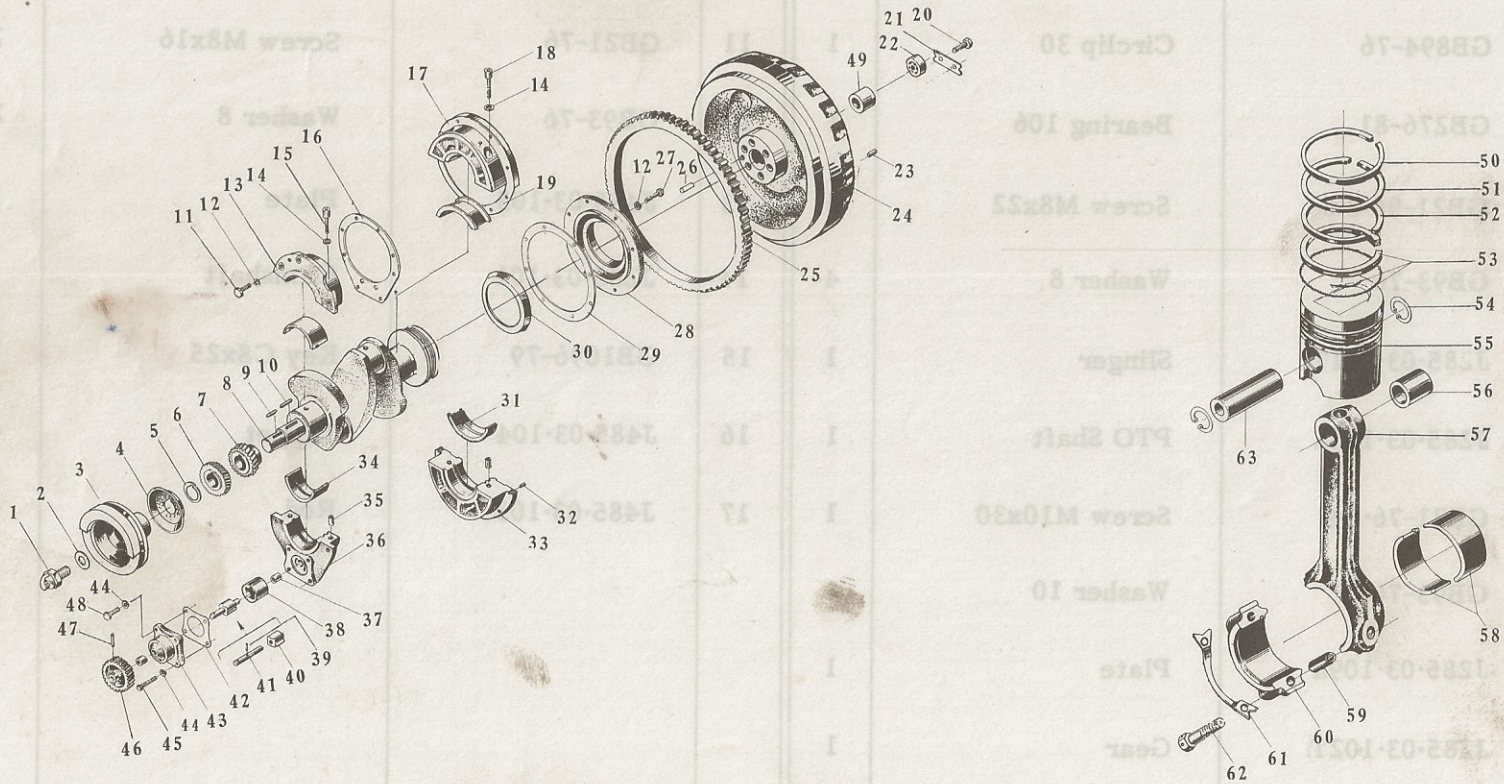


## 5. LUBE OIL FILTER



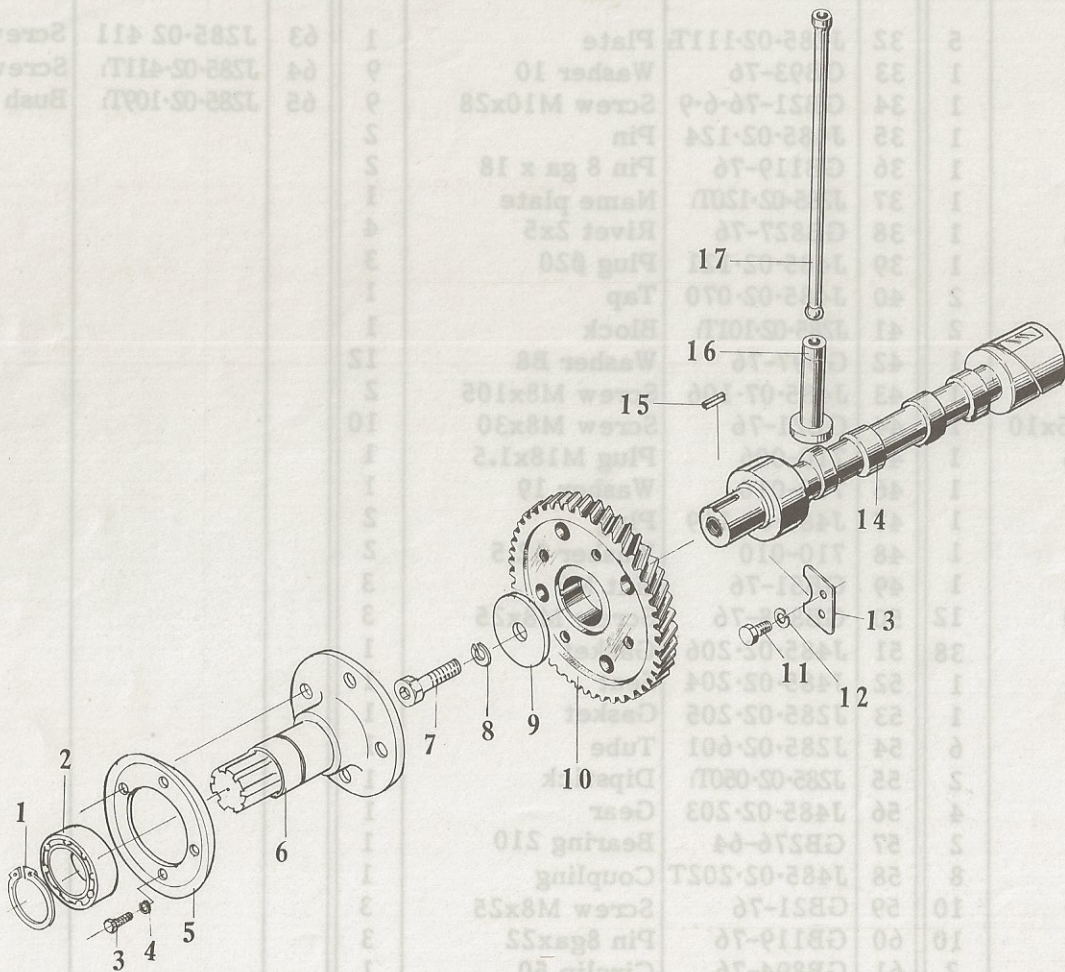


## 4. CRANKSHAFT





## 3. CAMSHAFT



Ref. No.	Part No.	Description	Qty	Ref. No.	Part No.	Description	Qty	Ref. No.	Part No.	Description	Qty
37	710-008	Plug 45	1	65	HG4-695-67	Seal SG45x68x15	1	37	GB21-76	Screw M8x25	5
30	1485-05-104	Stud (B)	2	61	GB894-76	Circlip 50	1	33	093-76	Cap	1
39	1485-05-106	Washer	10	60	GB119-76	Pin 8gx25	3	34	051-76-6-9	Screw M10x28	1
38	1485-05-105	Nut	10	59	GB21-76	Screw M8x25	3	35	145-05-124	Pin	1
27	1485-05-103	Stud (A)	8	58	1485-05-505T	Coupling	1	36	0119-76	Pin 8 ga x 18	2
26	1485-05-102	Liner	2	57	GB276-64	Bearing 210	1	37	145-05-120U	Name plate	1
25	1485-05-121	Plug 040	4	56	1485-05-503	Gear	1	38	0827-76	Rivet 2x2	4
24	1485-05-121	Plug 024	2	55	1285-05-080U	Dipstick	2	39	145-05-120	Plug 050	3
23	1485-05-121	Plug 08	6	54	1285-05-601	Tube	6	40	05-05-070	Tap	1
2	1485-05-108	Gasket	1	53	1285-05-505	Gasket	1	41	05-05-070	Block	1
3	1485-05-108	Gasket	1	52	1485-05-504	Gasket	1	42	145-05-120	Washer B8	12
4	1485-05-107	Plate	1	51	145-05-506	Washer B8	2	43	145-05-120	Cover	1
6	GB21-76	Screw M8x20	12	48	145-05-176	Washer B8	2	44	145-05-120	Plate	2
18	1485-05-304	Sheet	1	47	145-05-176	Washer B8	2	45	145-05-120	Block	2
17	1485-05-302	Plug	1	46	145-05-176	Washer B8	2	46	145-05-120	Block	2
16	1285-05-301T	Gear	1	45	145-05-176	Washer B8	2	47	145-05-120	Block	2
15	1485-05-303	Plate	1	44	145-05-176	Washer B8	2	48	145-05-120	Block	2
14	GB21-76	Screw M8x16	1	43	145-05-176	Washer B8	2	49	145-05-120	Block	2
13	HG4-695-67	Seal PD30x25x10	1	42	145-05-176	Washer B8	2	50	145-05-120	Block	2
12	1485-05-406	Gasket	10	41	145-05-176	Washer B8	2	51	145-05-120	Block	2
11	1285-05-405T	Cover	1	40	145-05-176	Washer B8	2	52	145-05-120	Block	2
10	1485-05-405T	Plate	2	39	145-05-176	Washer B8	2	53	145-05-120	Block	2
9	1485-05-405	Gasket	2	38	145-05-176	Washer B8	2	54	145-05-120	Block	2
8	1285-05-401	Tube	1	37	145-05-176	Washer B8	2	55	145-05-120	Block	2
7	GB67-76	Screw M6x25	1	36	145-05-176	Washer B8	2	56	145-05-120	Block	2
6	GB97-76	Washer B6	1	35	145-05-176	Washer B8	2	57	145-05-120	Block	2
5	1485-05-410	Cap	1	34	145-05-176	Washer B8	2	58	145-05-120	Block	2
4	1485-05-409	Strainer	1	33	145-05-176	Washer B8	2	59	145-05-120	Block	2
3	1485-05-408	Washer	1	32	145-05-176	Washer B8	2	60	145-05-120	Block	2
2	1485-05-407	Cap	1	31	145-05-176	Washer B8	2	61	145-05-120	Block	2
1	GB21-76	Screw M8x25	5	30	145-05-176	Washer B8	2	62	145-05-120	Block	2